

BETEX CONE HEATER, CH SERIES

For the heating of bearings, enabling easy mounting by means of shrinkage fitting.

Using the correct mounting method extends the bearing's life. Electrical heating is a safe alternative for traditional heating methods such as hammers, oil baths or blow torches. Suitable for the heating of gear wheels, bushes, couplings and other round metal components.

The affordable alternative!

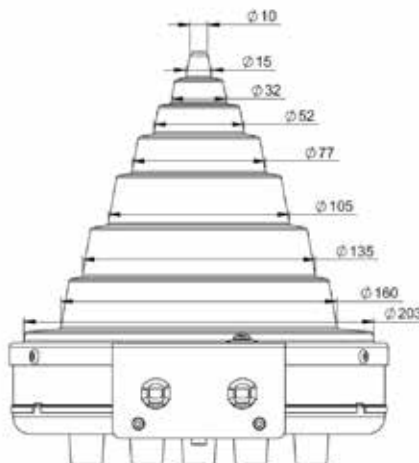
If your budget is limited, then the BETEX Cone Heater is an affordable alternative to other heating systems. Easy to use and suitable for various sizes. In a lightweight aluminium housing. For quick and even heating.

ADVANTAGES:

Type CHU: Standard unit

Type CHC: With temperature preset to 120°C / 248°F.

Controlled temperature: the unit will keep the bearing at a preset temperature



Standard	diameter Ø
mm	inch
10	0.39
15	0.59
32	1.26
52	2.05
77	3.03
105	4.13
135	5.31
160	6.30
203	7.99

Note: intermediate sizes also fit

Type BETEX Cone Heater	CHU	CHC
Power	725W	725W
Voltage/Amp;	120V / 6A 230V / 3.2A	120V / 6A 230V / 3.2A
Frequency Hz	50/60Hz	50/60Hz
Max. weight ± kg	5-7 kg	5-7 kg
Min. ID Ø, mm	10	10
Max. ID Ø, mm	203	203
Max. OD Ø, mm /	305	305
Temperature control in °C and °F Fixed temperature	-	120°C / 248°F
Heat retention function	-	Yes
Dimensions mm / " LxWxH	365x220x240	365x220x240
Weight heater kg / lbs	2.4 kg	2.6 kg