

## CYLINDERS

### BETEX NSSS series, standard cylinder, spring return, single acting



**Model : NSSS series**

Capacity : 4.5 - 100 ton  
 Stroke : 25.4 - 406 mm  
 Max. operating pressure : 700 bar

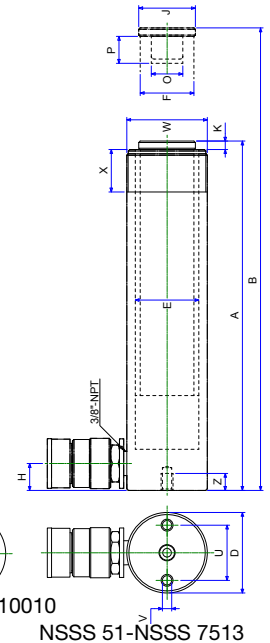
- All rams are single acting with spring return. Pistons hard chromed.
- Rams inside roll-polished, outside blasted with black nitride coating.

**Power sources:**

Handpumps, footpumps and air/hydraulic pumps and electric pumps.

**Pump and cylinder sets:**

All cylinders are available as sets: cylinder, gauge, couplers, hose and pump, for your ordering convenience.



NSSS 1006-NSSS 10010

NSSS 51-NSSS 7513

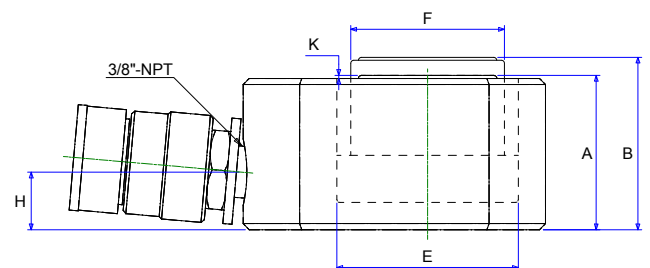
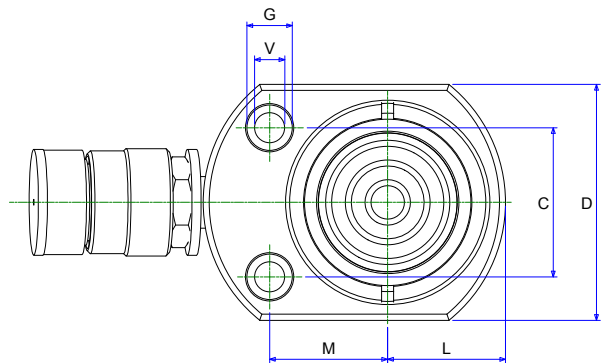
**NSSS series**

**TIP!** Use in combination with hand and foot pumps, pages 93-105. Accessories, pages 108-112

Type	Cap. ton	Stroke mm	Oil cap cm <sup>3</sup>	A Height		D mm	E mm	F mm	H mm	J mm	K mm	O ø un	P mm	U mm	V ø UNC	W ø un	X mm	Z mm	Weight Kg
				Min.	Max.														
NSSS 51	4.5	26	17	110	136		28.6						14						1
NSSS 53	5	76	54	165	241		30						14						1.5
NSSS 55	5	127	90	216	343	38	30	25.4	19	25	6	3/4"-16	14	25	1/4"-20	1 1/2"-16	28	14	1.9
NSSS 57	5	183	129	273	456		30						16						2.4
NSSS 59	5	232	164	324	556		30						16						2.8
NSSS 101		25.4	36.5	90	115.4		42.8			-	-	#10-24un	6.5						1.8
NSSS 102		51	73	121	172		42.8			40	6	1"-8	19						2.3
NSSS 104		101	145	171	272		42.8			40	6	1"-8	19						3.3
NSSS 106	10	152.5	242	247	399.5	57	45	38	19	40	6	1"-8	19	39	5/16"-18	2 1/4"-14	30	13	4.4
NSSS 108		203.5	323	298	501.5		45			40	6	1"-8	19						5.4
NSSS 1010		255.5	406	350	605.5		45			40	6	1"-8	19						6.4
NSSS 1012		305.5	486	400	705.5		45			40	6	1"-8	19						6.8
NSSS 1014		356.5	567	451	807.5		45			40	6	1"-8	19						8.2
NSSS 151		26.5	63	124	150.5				19										3.3
NSSS 152		52.5	125	149.6	202.1				19										4.1
NSSS 154		102.5	243	200	302.5				19										5.0
NSSS 156	15	153	363	271.6	424.6	73	55	40	25	38	9.6	1"-8	25.4	47.7	3/8"-16	2 3/4"-16	30	13	6.8
NSSS 158		203.5	483	322	525.5				25										8.2
NSSS 1510		254.5	604	373	627.5				25										9.5
NSSS 1512		305	724	424	729				25										10.9
NSSS 1514		355.7	845	474.6	830.3				25										11.8
NSSS 1516		406	824	523	829				25										12.8
NSSS 251		25.5	98	139.5	165														5.9
NSSS 252		51	196	165	216														6.4
NSSS 254		102	392	216	318														8.2
NSSS 256	25	158.5	610	273	431.5	88	70	55	25	50	10.5	1 1/2"-16	25.4	58	1/2"-13	3 5/16"-12	50	19	10
NSSS 258		209.5	806	324	533.5														12.2
NSSS 2510		260.5	1002	375	636.5														14.1
NSSS 2512		311	1196	425.5	736.5														16.3
NSSS 2514		361.5	1390.5	476	837.5														17.7
NSSS 308	30	209.5	925	387.5	597	103	75	60	57	50	10.5	1 1/2"-16	25.4	-	-	4"-12	50	-	18.1
NSSS 502		51	361	177	228														15
NSSS 504		101.5	719	229	330.5														19.1
NSSS 506	50	157.5	1116	283	440.5	127	95	80	33	70	3	-	-	95	1/2"-13	5"-12	55	19	23.1
NSSS 508		203	1446	349	552														27.1
NSSS 5010		260	1853	385	645														30.4
NSSS 5013		335.5	2377	461	796.5														37.6
NSSS 756	75	155	1752	285	440	152	120	95	30	70	3	-	-	-	-	5 3/4"-12	45	-	29.5
NSSS 7513		333.5	3770	491	824.5														59
NSSS 1006	100	170	2432	358	528	177	135	105	40	70	3	-	-	139	3/4"-10	6 7/8"-12	45	25	59
NSSS 10010		260	3720	448	708														72.6

## CYLINDERS

BETEX NSLS series, flat cylinder, low height, spring return, single acting



### Model: NSLS series

Capacity : 5 - 150 ton  
Stroke : 6 - 17 mm  
Max. operating pressure : 700 bar

- All cylinders are single acting with spring return.
- Pistons hard chromed.
- Cylinders inside roll-polished, outside blasted with black nitride coating.

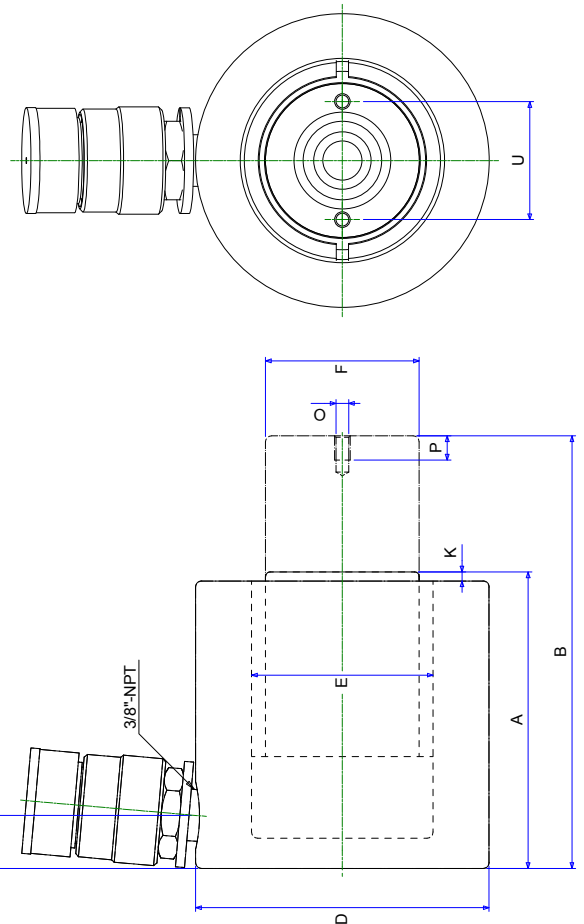
**TIP!** Use in combination with hand and foot pumps, pages 93-105. Accessories, pages 108-112

### NSLS series

Type	Cap. ton	Stroke mm	Oil cap cm <sup>3</sup>	Height		C mm	D mm	E ø mm	F ø mm	G ø mm	H mm	K mm	L mm	M mm	O ø mm	P ø mm	U mm	V ø mm	Weight Kg
				Min.	Max.														
NSLS 50	5	6	4.5	33	39	28.5	58.5x44	31	25.4	9.5	16	1	22	22	-	-	-	5.3	1.0
NSLS 100	10	12	18.0	42	54	36.5	82.5x60	44	38	11	19	1	30	34	-	-	-	7.5	1.4
NSLS 200	20	12	34.0	51	63	49.3	100x78	60	50.8	15	19	1	39	39	-	-	-	10	3.1
NSLS 300	30	13	54.0	58	71	52.3	117.5x95	73	63.5	16	19	2	47.5	47.5	-	-	-	10	4.5
NSLS 500	50	16	113.0	66	82	66.5	145x115	95	70	19	19	2	57.5	58	-	-	-	11	6.8
NSLS 750	75	16	180.0	79	95	76.2	170x145	120	82.5	20.5	19	2	72.5	70	-	-	-	13.5	11.3
NSLS 1000	100	16	229.0	85	101	76.2	185x160	135	92	20.5	19	2	80	78	-	-	-	13.5	14.5
NSLS 1500	150	17	363.0	100	117	117	225x195	165	115	20.5	23	2	97.5	85	-	-	-	13.5	26.3

## CYLINDERS

BETEX NSCS series, low height cylinder, short stroke, spring return, single acting



### Model: NSCS series

Capacity : 10 - 100 ton  
 Stroke : 38 - 62 mm  
 Max. operating pressure : 700 bar

- All cylinders are single acting with spring return.
- Pistons hard chromed.
- Cylinders inside roll-polished, outside blasted with black nitride coating.

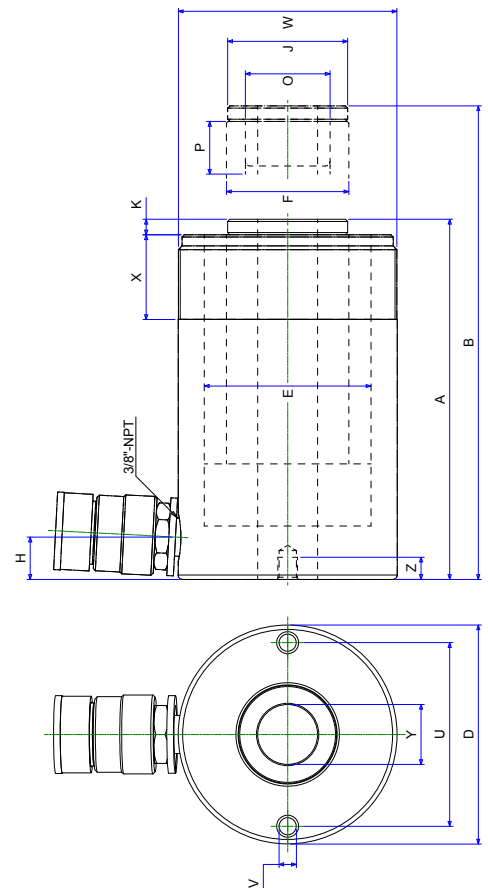
### NSCS series

**TIP!** Use in combination with hand and foot pumps, pages 93-105. Accessories, pages 108-112

Type	Cap. ton	Stroke mm	Oil cap cm <sup>3</sup>	A Min.	B Max.	C mm	D mm	E Ø mm	F Ø mm	G Ø mm	H mm	K mm	L mm	M mm	O Ø mm	P Ø mm	U mm	V Ø mm	Weight Kg
NSCS 101	10	38	55.0	88	126	-	78	42.8	38	-	17.5	5	-	-	M4	8	26	-	4.1
NSCS 201	20	45	127.0	98	143	-	97	60	50.8	-	17.5	3	-	-	M5	9	39	-	5.0
NSCS 302	30	62	274.0	117	179	-	107	75	63.5	-	19	3	-	-	M5	8	39	-	6.8
NSCS 502	50	60.5	429.0	122	182	-	127	95	70	-	19	2	-	-	M5	8	39	-	10.9
NSCS 1002	100	58	830.0	141.5	199.5	-	165	135	92	-	19	1.5	-	-	M8	10	55	-	22.7

## CYLINDERS

BETEX NSHS series, hollow cylinder, spring return, single acting



**Model: NSHS series**

Capacity : 12 - 100 ton

Stroke : 8 - 158 mm

Max. operating pressure : 700 bar

- All cylinders are single acting with spring return.
- Pistons hard chromed.
- Cylinders inside roll-polished, outside blasted with black nitride coating.

**TIP!** Use in combination with hand and foot pumps, pages 93-105. Accessories, pages 108-112

**NSHS series**

Type	Cap. ton	Stroke mm	Oil cap cm <sup>3</sup>	A Height		D Ø mm	E Ø mm	F Ø mm	H mm	J mm	K mm	O Ø un	P mm	U mm	V Ø un	W Ø un	X mm	Y Ø mm	Z mm	Weight Kg
				Min.	Max.															
NSHS 120	12	8	14.8	60	68	73	54.1	35	12.5	-	-	3/4"-16	16	50.8	5/16"-18	2 3/4"-16	33	19.5	9	1.5
NSHS 121	12	42	79	120	162	73	55	35	19	-	-	-	-	50.8	5/16"-18	2 3/4"-16	33	19.5	12.7	3
NSHS 123	12	76	143.2	184	260	73	55	35	19	-	-	-	-	50.8	5/16"-18	2 3/4"-16	33	19.5	12.7	4.2
NSHS 202	20	51	173	162	213	98.5	75	55	19	54	7	1 9/16"-16	25	82.6	3/8"-16	3 7/8"-12	38	27	9.4	7.5
NSHS 206	20	155	527	306	461	98.5	75	55	19	54	7	1 9/16"-16	25	82.6	3/8"-16	3 7/8"-12	38	27	9.4	13.5
NSHS 302	30	65	310	178.5	243.5	117	90	65	21.5	59.9	0.5	1 7/8"-16	25	92	3/8"-16	4 1/2"-12	42	34	14	11
NSHS 306	30	160	763	330	490	117	90	65	21.5	59.9	0.5	1 7/8"-16	25	92	3/8"-16	4 1/2"-12	42	34	14	20.4
NSHS 603	60	76	680	247.5	323.5	158.6	125	90	32	89	12.5	2 3/4"-16	25	130	1/2"-13	6 1/4"-12	50	54	14	26.4
NSHS 606	60	152	1360	323.5	475.5	158.6	125	90	32	89	12.5	2 3/4"-16	25	130	1/2"-13	6 1/4"-12	50	54	14	34
NSHS 1003	100	76	1085	254	330	213	165	125	38	125	14	4"-16	30	178	5/8"-11	8 3/8"-12	60	79	19	50.1